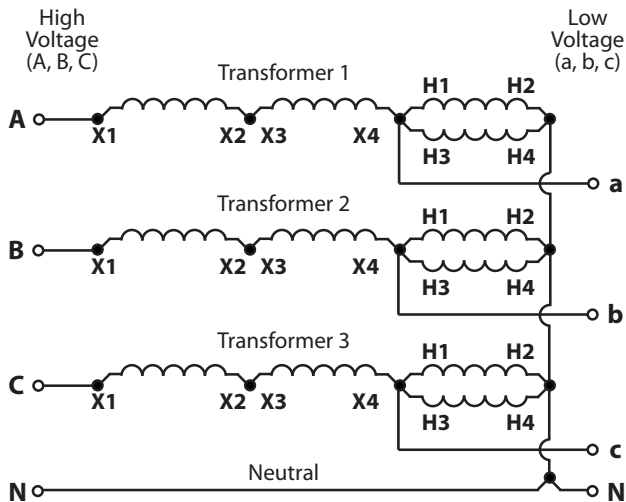


## FIGURE 9 - Buck Boost Wiring Diagram



### Connection Instructions Three Phase (Wye Output)

#### Boosting (Lower Voltage to Higher Voltage)

**Step 1:** On Transformer 1, connect X1 together with one of your input wires (higher voltage). You should have a total of 2 wires combined together for this one connection.

**Step 2:** On Transformer 1, connect X2 and X3 together. You should have a total of 2 wires combined together for this one connection.

**Step 3:** On Transformer 1, connect one of your output wires (lower voltage) together with X4, H1, and H3. You should have a total of 4 wires combined together for this one connection.

**Step 4:** Connect H2 and H4 of Transformer 1, H2 and H4 of Transformer 2, and H2 and H4 of Transformer 3 together with your second input wire (higher voltage) and your second output wire (lower voltage). You should have a total of 8 wires combined together for this one connection.

**Step 5:** On Transformer 2, connect your third input wire (higher voltage) to X1. You should have a total of 2 wires combined together for this one connection.

**Step 6:** On Transformer 2, connect X2 and X3 together. You should have a total of 2 wires combined together for this one connection.

**Step 7:** On Transformer 2, connect your third output wire (lower voltage) together with X4, H1, and H3. You should have a total of 4 wires combined together for this one connection.

**Step 8:** On Transformer 3, connect X1 together with your fourth input wire (higher voltage). You should have a total of 2 wires combined together for this one connection.

**Step 9:** On Transformer 3, connect X2 and X3 together. You should have a total of 2 wires combined together for this one connection.

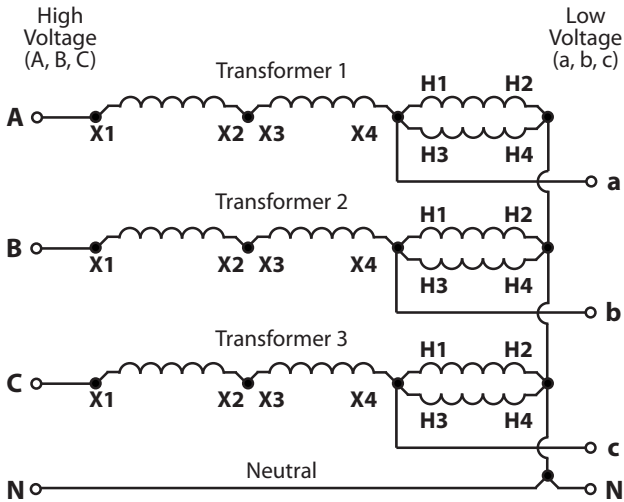
**Step 10:** On Transformer 3, connect your fourth output wire (lower voltage) together with X4, H1, and H3. You should have a total of 4 wires combined together for this one connection.

**Step 11:** Re-verify wires in previous steps. Check that all connections are tight and well insulated.

**Step 12:** Prior to powering your machine, apply power to the transformer and verify that you have the proper voltages for your equipment.

If you need any further assistance please contact one of our tech support personnel here at TEMCo at **510-490-2187** or **877-474-8209**.

## FIGURE 9 - Buck Boost Wiring Diagram



### Connection Instructions Three Phase (Wye Output)

#### Boosting (Lower Voltage to Higher Voltage)

**Step 1:** On Transformer 1, connect X1 together with one of your output wires (higher voltage). You should have a total of 2 wires combined together for this one connection.

**Step 2:** On Transformer 1, connect X2 and X3 together. You should have a total of 2 wires combined together for this one connection.

**Step 3:** On Transformer 1, connect one of your input wires (lower voltage) together with X4, H1, and H3. You should have a total of 4 wires combined together for this one connection.

**Step 4:** Connect H2 and H4 of Transformer 1, H2 and H4 of Transformer 2, and H2 and H4 of Transformer 3 together with your second input wire (lower voltage) and your second output wire (higher voltage). You should have a total of 8 wires combined together for this one connection.

**Step 5:** On Transformer 2, connect your third output wire (higher voltage) to X1. You should have a total of 2 wires combined together for this one connection.

**Step 6:** On Transformer 2, connect X2 and X3 together. You should have a total of 2 wires combined together for this one connection.

**Step 7:** On Transformer 2, connect your third input wire (lower voltage) together with X4, H1, and H3. You should have a total of 4 wires combined together for this one connection.

**Step 8:** On Transformer 3, connect X1 together with your fourth output wire (higher voltage). You should have a total of 2 wires combined together for this one connection.

**Step 9:** On Transformer 3, connect X2 and X3 together. You should have a total of 2 wires combined together for this one connection.

**Step 10:** On Transformer 3, connect your fourth input wire (lower voltage) together with X4, H1, and H3. You should have a total of 4 wires combined together for this one connection.

**Step 11:** Re-verify wires in previous steps. Check that all connections are tight and well insulated.

**Step 12:** Prior to powering your machine, apply power to the transformer and verify that you have the proper voltages for your equipment.

If you need any further assistance please contact one of our tech support personnel here at TEMCo at **510-490-2187** or **877-474-8209**.