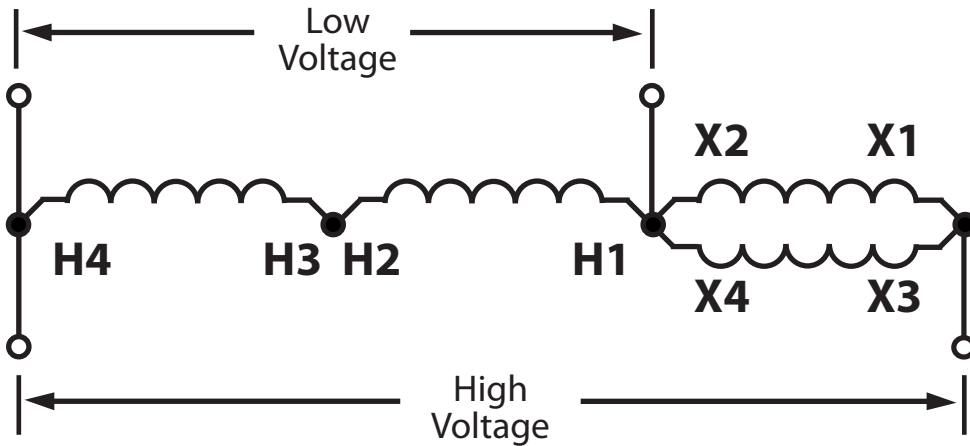


FIGURE 3 - Buck Boost Wiring Diagram



Connection Instructions

Bucking (Higher Voltage to Lower Voltage)

- Step 1:** Connect H4 together with one of your input wires (higher voltage) and one of your output wires (lower voltage). You should have a total of 3 wires combined together for this one connection.
- Step 2:** Connect H2 and H3 together. You should have a total of 2 wires combined together for this one connection.
- Step 3:** Connect your second output wire (lower voltage) together with H1, X2, and X4. You should have a total of 4 wires combined together for this one connection.
- Step 4:** Connect your second input wire (higher voltage) together with X1 and X3. You should have a total of 3 wires combined together for this one connection.
- Step 5:** Re-verify wires in previous steps. Check that all connections are tight and well insulated.
- Step 6:** Prior to powering your machine, apply power to the transformer and verify that you have the proper voltages for your equipment.

Boosting (Lower Voltage to Higher Voltage)

- Step 1:** Connect H4 together with one of your input wires (lower voltage) and one of your output wires (higher voltage). You should have a total of 3 wires combined together for this one connection.
- Step 2:** Connect H2 and H3 together. You should have a total of 2 wires combined together for this one connection.
- Step 3:** Connect your second input wire (lower voltage) together with H1, X2, and X4. You should have a total of 4 wires combined together for this one connection.
- Step 4:** Connect your second output wire (higher voltage) together with X1 and X3. You should have a total of 3 wires combined together for this one connection.
- Step 5:** Re-verify wires in previous steps. Check that all connections are tight and well insulated.
- Step 6:** Prior to powering your machine, apply power to the transformer and verify that you have the proper voltages for your equipment.

If you need any further assistance please contact one of our tech support personnel here at TEMCo at **510-490-2187** or **877-474-8209**.