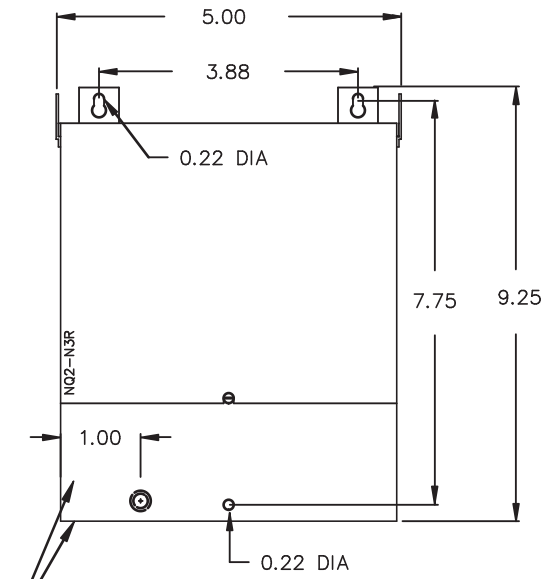
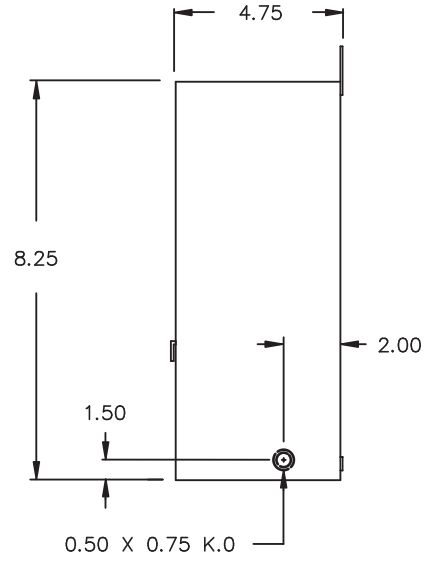


FRONT VIEW



SIDE VIEW



FRONT & BOTTOM PANEL IS HINGED FOR ACCESS TO TERMINALS, BOTTOM MOUNTING HOLES AND REAR KNOCKOUT.

All Dimensions in inches

ENCLOSURE COLOR : ANSI 61 GREY – OUTDOOR

CUSTOMER NOTES:



TITLE: 1 PHASE ENCAPSULATED TRANSFORMER

DES:	WWONG
DATE:	03/12/19
SCALE:	NTS

NO.	DATE	BY	REVISION

SHEET 2 OF 2

EDBQC75ERCB

0.2 root 2011/03/09 13:26